

PDFBraindumps



Latest Pdf Braindumps	Top Certifications	Top Vendors		
<ul style="list-style-type: none">▶ LRP-614▶ BCABA▶ JN0-740▶ 250-405▶ DS-200▶ SDM_2002001040▶ ST0-250▶ H12-221▶ M2180-716	<ul style="list-style-type: none">▶ ISEB Certification▶ OCE▶ NVIDIA Certifications▶ Network+▶ IBM Certified Integrat▶ CCDH▶ IBM Certified Advanc▶ eserver Certified Spe▶ SAP-Certifications▶ Network Appliance N	<ul style="list-style-type: none">▶ HCNP▶ IFPUG Certifications▶ dotMobi Certification▶ SCMA▶ MCSD▶ NCLP▶ XMLMaster Certificat▶ CS5▶ CHA	<ul style="list-style-type: none">▶ ISEB▶ ASTQB▶ Aruba▶ Data Center Universit▶ HRCI▶ CIW▶ Patchlink▶ International Consorti▶ Acme-Packet	<ul style="list-style-type: none">▶ Fortinet▶ Ericsson▶ Liferay▶ Novell▶ Huawei▶ RSA▶ MYSQL▶ ISM▶ CheckPoint

<http://www.pdfbraindumps.com>

Latest pdf braindumps provider, high pass rate

Exam : **D-CIS-FN-23**

Title : Dell Cloud Infrastructure and Services Foundations 2023

Vendor : EMC

Version : DEMO

NO.1 Dynamic virtual machine (VM) load balancing across storage volumes is enabled. Which parameter is used to intelligently place newly created VMs on a storage volume?

- A. I/O load on the storage volume
- B. Type of the storage volume
- C. Location of the storage volume
- D. Size of the storage volume

Answer: A

NO.2 Consider a virtual machine (VM) with 2 GB memory capacity and 1200 MHz processing power as its lower bounds, and 4 GB memory capacity and 2400 MHz processing power as its upper bounds. What is the effect on the VM if the memory capacity or processing power available to the VM is less than

2 GB and 1200 MHz respectively?

- A. The VM will not power on using this configuration.
- B. The VM will run with degraded performance.
- C. The VM will allow only a few applications to run.
- D. The VM will allow only one operating system to be installed.

Answer: A

NO.3 An attacker eavesdrops on a network to capture a consumer's credentials, which can be used to hijack the consumer's account.

Which mechanism should the cloud service provider deploy to mitigate the risk of an account hijacking attack?

- A. Access control list
- B. Firewall
- C. Multi-factor authentication
- D. Encrypting data-at-rest

Answer: C

NO.4 Which statement characterizes the software-defined approach for managing resources?

- A. Abstracts the underlying infrastructure components and separates the management functions from the infrastructure components
- B. Provides a framework to list services, attributes of services, service-level commitments, terms and conditions for service provisioning, and prices of services
- C. Provides the automated arrangement, coordination, and management of various system functions in a cloud infrastructure to manage cloud services
- D. Specifies a set of component functions that can be called from a software component to interact with other software components

Answer: A

NO.5 A cloud provider installs a virtual firewall on a hypervisor to reduce the scope of a security breach when there is already a network-based firewall deployed in the cloud environment.

Which strategy did the cloud provider use to mitigate the risk of security threats?

- A. Trusted computing base

- B. Defense-in-depth
- C. Information assurance framework
- D. Adaptive security

Answer: B

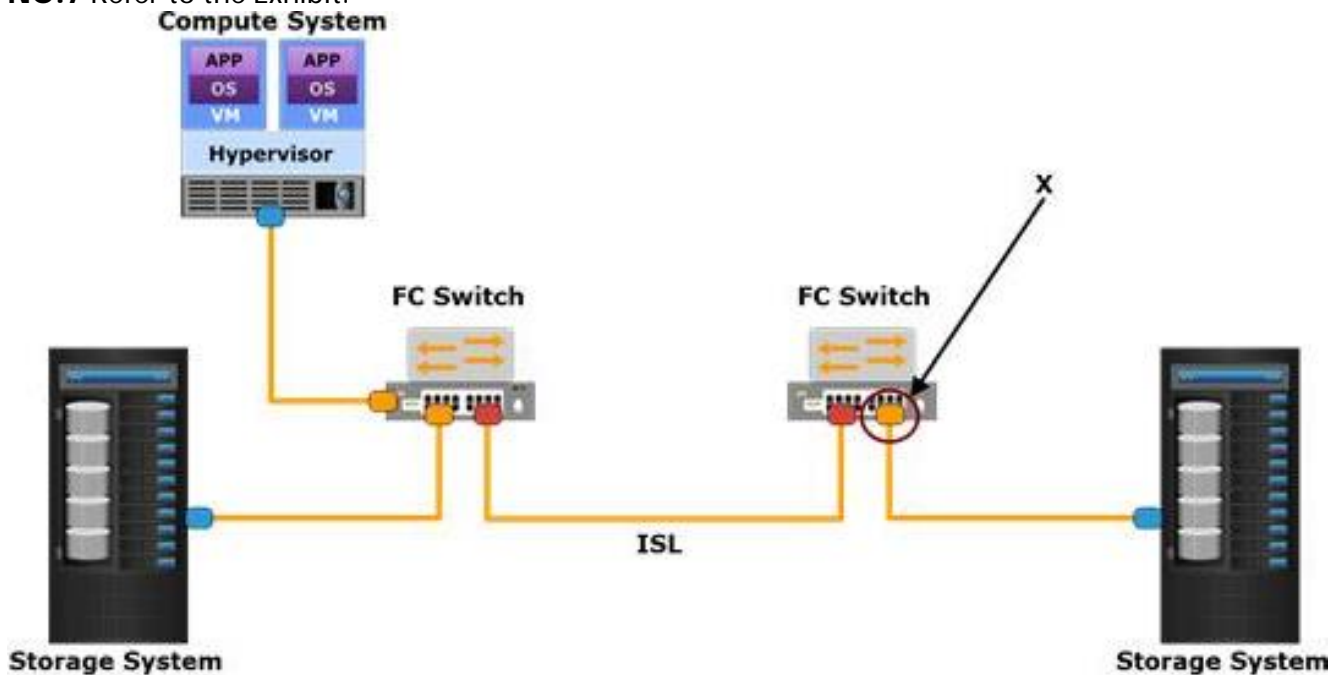
NO.6 An organization has a private cloud infrastructure. They want to leverage the capabilities of a public cloud by using the hybrid cloud model.

Which security mechanism would enable them to establish a secure connection to the public cloud?

- A. Zoning
- B. OAuth
- C. Sandboxing
- D. VPN

Answer: D

NO.7 Refer to the Exhibit.



Which type of Fibre Channel SAN port is referenced by the letter X?

- A. F_Port
- B. E_Port
- C. G_Port
- D. N_Port

Answer: A

NO.8 Match each information security concept with its description.

Concept	Description
Availability	Ensures the required secrecy of information
Integrity	Ensures that unauthorized changes to information are not allowed
Accountability	Ensures that authorized users have reliable and timely access to cloud resources
Confidentiality	Ensures users are answerable for the actions executed on the system

Answer:

Concept	Description
Availability	Confidentiality
Integrity	Integrity
Accountability	Availability
Confidentiality	Accountability

NO.9 Which infrastructure platform is software-defined?

- A. PowerStore
- B. PowerFlex
- C. VxRail
- D. VxBlock

Answer: B

NO.10 What activity is performed during service planning?

- A. Discovering service assets
- B. Establishing billing policy
- C. Creating orchestration workflow
- D. Creating service contract

Answer: B

NO.11 When virtual machines (VMs) are running on a compute cluster, what functionality is provided by a hypervisor's native file system?

- A. Automated locking of VM files
- B. Pool of running VMs to be shared among hypervisors
- C. Pool of virtual disks to be shared among running VMs
- D. VM namespace resolution

Answer: A

NO.12 What is true about change management?

- A. Defines SLA compliance
- B. Triggers alerts
- C. Monitors compliance

Answer: C

NO.13 What helps the service provider to meet the required service availability in a cloud environment?

- A. Increasing the storage resources in the data center
- B. Creating cloud services using limited resources
- C. Building a resilient cloud infrastructure
- D. Creating additional cloud services

Answer: C

NO.14 What is a service contract?

- A. An agreement between provider and consumer that states the terms of service usage
- B. An agreement between provider and supplier that describes the service template specifics
- C. An agreement between provider and consumer that lists the conditions for greenfield service deployment
- D. An agreement between provider and supplier that states the terms and conditions of a balanced scorecard

Answer: A

NO.15 What could be a possible cause for the degradation in the performance of virtual machines (VMs) during a guest-level backup operation?

- A. Backup agent running inside VMs consumes additional resources.
- B. VM snapshot created for the backup consumes additional resources.
- C. VMs move into read only mode during backup operations.
- D. VMs move into sleep mode during backup operations.

Answer: A

NO.16 What benefit is provided by the business continuity process in a cloud?

- A. Helps to reduce the IT budget
- B. Helps to meet the required service availability

- C. Enables meeting the required service performance
- D. Enables the transformation from CAPEX to OPEX

Answer: B

NO.17 Which statement describes the OAuth mechanism?

- A. An open authorization mechanism that allows a client to access protected resources from a resource server on behalf of a resource owner
- B. A network authentication protocol that provides strong authentication for client/server applications by using secret-key cryptography
- C. An open authentication standard in which a service provider uses authentication services from an OpenID provider
- D. A mechanism designed to examine data packets traversing a network and compare them to a set of filtering rules

Answer: A

NO.18 What is a benefit of data archiving?

- A. Increases deduplication ratio and reduces storage costs
- B. Avoids performing data backups frequently
- C. Preserves data for future reference and adherence to regulatory compliance
- D. Moves frequently accessed data to lower-cost archive storage

Answer: C

NO.19 Which layer of a cloud infrastructure invokes resource provisioning tasks after a consumer requests a cloud service?

- A. Virtual layer
- B. Orchestration layer
- C. Service layer
- D. Control layer

Answer: B

NO.20 Which activity is associated with Process Transformation?

- A. Adoption of modern IT infrastructure
- B. Shift in the IT staff skill set
- C. Creating new roles
- D. Adoption of Agile methodologies

Answer: A

NO.21 Which statement describes the service operation management function?

- A. Deciding to deliver those services that provide value to the provider and reduce operating costs
- B. Managing the provider's operational expenditure, budget, and billing requirements
- C. Maintaining deployed services, which ensures that service levels are delivered as committed
- D. Defining a suite of service offerings that aligns to the provider's strategic business goals

Answer: C

NO.22 What is a benefit of link aggregation?

- A. Saves bandwidth by restricting traffic to a specific potentially congested ISL
- B. Improves performance by combining two or more parallel ISLs into a single physical ISL
- C. Optimizes fabric performance by distributing network traffic across ISL
- D. Improves ISL utilization by increasing the network traffic on a specific ISL

Answer: B

NO.23 Which RSA product enables multi-factor authentication?

- A. SecurID
- B. Archer eGRC
- C. Envision
- D. BSAFE

Answer: C

NO.24 An administrator plans to perform scheduled maintenance of a computer system in a cluster. There are multiple virtual machines (VMs) running a cloud service on the computer system. Which solution enables the administrator to perform maintenance without service interruption?

- A. VM live migration
- B. VM backup
- C. VM hardening
- D. VM template

Answer: A

NO.25 Which function collects information about competing service offerings?

- A. Service performance management
- B. Service portfolio management
- C. Service operations management
- D. Service demand management

Answer: B

NO.26 Which EMC product provides a solution for software-defined storage?

- A. ViPR
- B. Vblock
- C. VMAX
- D. VSPEX

Answer: A

NO.27 What term describes the ability of a system to continue functioning, even when a few of its components fail?

- A. Replication
- B. Fault tolerance
- C. Checkpointing

D. Disaster recovery

Answer: B

NO.28 A consumer is interested in a service that provides multiple operating systems and programming frameworks for application development and deployment. Which cloud service model meets these requirements?

A. Storage as a Service

B. Platform as a Service

C. Software as a Service

D. Data as a Service

Answer: B

NO.29 What does CHAP use to enable initiators and targets to authenticate each other?

A. A secret code

B. OpenID

C. OAuth

D. Permissions

Answer: A

NO.30 Which statement is true about the native file system of a hypervisor?

A. It enables multiple hypervisors to write to shared storage concurrently.

B. It supports built-in NFS and CIFS clients installed on NAS devices.

C. It enables virtual machine files to be stored on multiple file systems.

D. It is installed on the guest operating systems of the virtual machines.

Answer: A

NO.31 Which mechanism in a Fibre Channel SAN prevents illegitimate host connections by rejecting WWPN logins?

A. Port binding

B. Fabric binding

C. Persistent port locking

D. Port-type locking

Answer: A

NO.32 In a FC SAN, which FC port type does an N_Port connect to?

A. F_Port

B. N_Port

C. E_Port

D. G_Port

Answer: A

NO.33 What is the role of a proxy server in an image-based backup solution?

A. Performs backup operations by using the virtual machine snapshot

- B. Stores backup media for a virtual machine backup
- C. Creates the snapshot for the virtual machine to be backed up
- D. Transfers data directly from the guest OS to the backup device

Answer: A

NO.34 Which solution can be used for automation of a customer environment?

- A. OpenStack
- B. Ansible
- C. GitHub
- D. CloudWatch

Answer: B

NO.35 What is a benefit of server-flash cache technology?

- A. Provides performance acceleration for read-intensive workloads
- B. Eliminates the need to have cache in storage systems
- C. Improves data migration from one storage system to another
- D. Eliminates the need for hyper-threading-enabled processors

Answer: A