

PDFBraindumps



Latest Pdf Braindumps	Top Certifications	Top Vendors		
<ul style="list-style-type: none">▶ LRP-614▶ BCABA▶ JN0-740▶ 250-405▶ DS-200▶ SDM_2002001040▶ ST0-250▶ H12-221▶ M2180-716	<ul style="list-style-type: none">▶ ISEB Certification▶ OCE▶ NVIDIA Certifications▶ Network+▶ IBM Certified Integrat▶ CCDH▶ IBM Certified Advanc▶ eserver Certified Spe▶ SAP-Certifications▶ Network Appliance N	<ul style="list-style-type: none">▶ HCNP▶ IFPUG Certifications▶ dotMobi Certification▶ SCMA▶ MCSD▶ NCLP▶ XMLMaster Certificat▶ CS5▶ CHA	<ul style="list-style-type: none">▶ ISEB▶ ASTQB▶ Aruba▶ Data Center Universit▶ HRCI▶ CIW▶ Patchlink▶ International Consorti▶ Acme-Packet	<ul style="list-style-type: none">▶ Fortinet▶ Ericsson▶ Liferay▶ Novell▶ Huawei▶ RSA▶ MYSQL▶ ISM▶ CheckPoint

<http://www.pdfbraindumps.com>

Latest pdf braindumps provider, high pass rate

Exam : **642-447**

Title : **Implementing Cisco Unified Communications Manager, Part 1**

Vendor : **Cisco**

Version : **DEMO**

NO.1 The Bulk Provisioning Service needs to be activated prior to submitting a job through Cisco Unified Communications Manager BAT.

Where is the Bulk Provisioning Service activated?

- A. Cisco Unified Serviceability Service Activation
- B. Cisco Unified OS Administration
- C. Cisco Unified CM Administration
- D. Cisco Unified Communications Manager Enterprise Parameters
- E. Cisco Unified Communications Manager Service Parameters Bulk Provisioning Service

Answer: A

Explanation:

Link:

http://www.cisco.com/en/US/docs/voice_ip_comm/cucm/admin/8_5_1/ccmsys/a08sip.html#wp116

- B. CM administration: create, modify, or delete the user device profile
- C. OS administration: configure and administer cisco CM platforms
- D. CM administration: create, modify, or delete the user device profile

NO.2 When an IP phone boots up, which mechanism provides the VLAN ID?

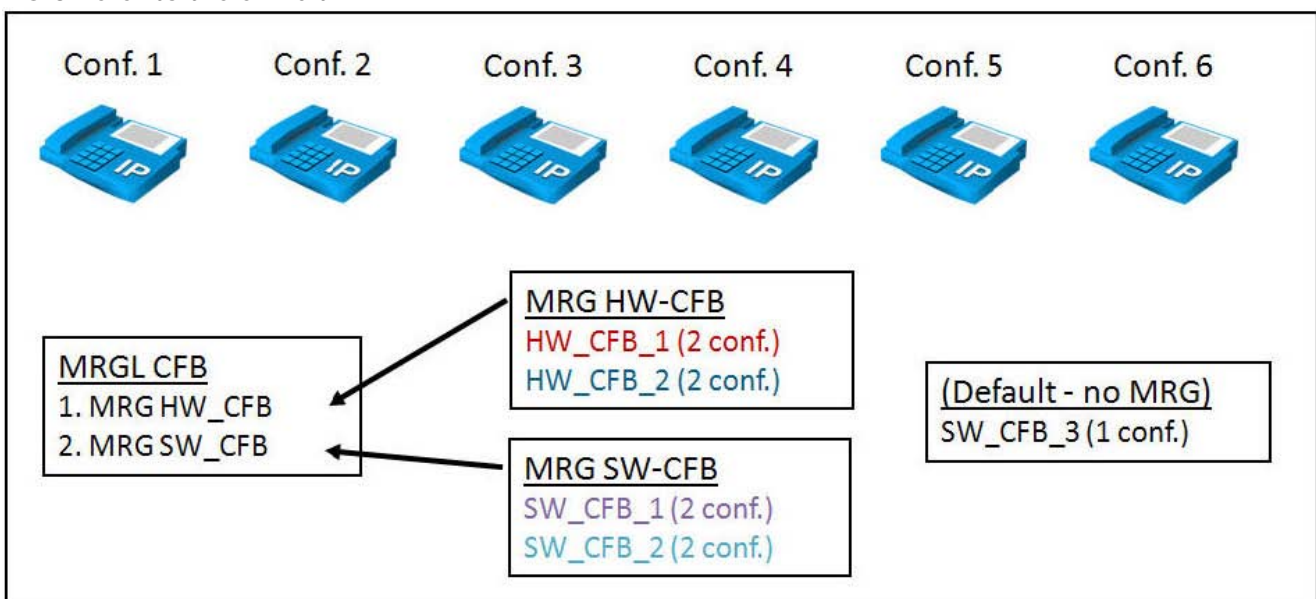
- A. CDP
- B. DNS
- C. DHCP
- D. TFTP
- E. Option 150

Answer: A

Explanation:

If a voice VLAN ID is configured on the switch it will respond to the received Cisco Discovery Protocol message and inform the Cisco IP phone about the voice VLAN ID.

NO.3 Refer to the exhibit.



Each of the IP phones needs to use conferencing resources at the same time.

Which conference resource will conference 2 use?

- A. HW_CFB_1
- B. HW_CFB_2
- C. SW_CFB_1
- D. SW CFB 2

Answer: A

NO.4 What is one difference between Cisco inline power and 802.3af PoE?

- A. Cisco inline power should only be activated for those ports that require PoE to avoid oversubscription.
- B. You must determine the total number of IP phones the switch can support with 802.3af to avoid oversubscription.
- C. You must specify which set of pins the powered device is going to accept power on for 802.3af.
- D. Cisco inline power provides a variable amount of power by using CDP.

Answer: B

NO.5 Which three Cisco Unified CallManager configuration steps are required to support third party SIP phones? (Choose three.)

- A. configure the device in Cisco Unified CallManager
- B. change the proxy address in the SIP phone to an IP address or the Fully Qualified Domain Name (FQDN) of Cisco Unified CallManager
- C. associate the device with the end user
- D. configure the phone with the TLS username and password
- E. configure the end user in Cisco Unified CallManager
- F. add the MAC address of the Cisco Unified CallManager server to the SIP phone configuration page

Answer: A,C,E

Explanation:

Perform the following steps when configuring third-party SIP endpoints:

- Configure an end user in Cisco Unified Communications Manager.
- Configure the third-party SIP phone and its directory numbers in Cisco Unified Communications Manager.
- Select the configured end user as Digest User on the third-party SIP phone configuration window.
- Configure the third-party SIP phone with the IP address of Cisco Unified Communications Manager (proxy address), end-user ID, digest credentials (optional), and directory numbers.

NO.6 Refer to the following Exhibits.

Exhibit 1

Pattern Definition

Translation Pattern	0,00!#
Partition	HQ_Intl_Pt
Description	
Numbering Plan	< None >
Route Filter	< None >
MLPP Precedence*	Default
Resource Priority Namespace Network Domain	< None >
Route Class*	Default
Calling Search Space	PSTN.CSS
External Call Control Profile	< None >
Route Option	<input checked="" type="radio"/> Route this pattern <input type="radio"/> Block this pattern No Error

Exhibit 2

Pattern Definition

Translation Pattern	0,00!#
Partition	HQ_BlK_Intl_Pt
Description	
Numbering Plan	< None >
Route Filter	< None >
MLPP Precedence*	Default
Resource Priority Namespace Network Domain	< None >
Route Class*	Default
Calling Search Space	PSTN.CSS
External Call Control Profile	< None >
Route Option	<input type="radio"/> Route this pattern <input checked="" type="radio"/> Block this pattern No Error

Exhibit 3

CSS	Partition
Phone Device CSS	HQ_BlK_Intl_pt
Phone Line CSS	HQ_Intl_pt
PSTN.CSS	PSTN_Pt

Assume that route pattern for international calls is assigned to the PSTN_Pt partition. After applying

the CSSs shown in the exhibit to a phone and placing a call to 00014087071222#, which of the following statements is true?

- A. The call will be blocked because the line and device CSS will be combined and partitions in the device CSS will take precedence.
- B. The call will be permitted because the line and device CSS will be combined and partitions in the line CSS will take precedence.
- C. The call will be blocked because any translation pattern that is blocked will take precedence.
- D. Only calls from the primary line will be permitted. Secondary lines will be blocked.

Answer: B

Explanation:

the Line CSS configured on the directory number associated with the user's device profile.

Link: http://www.cisco.com/en/US/docs/voice_ip_comm/cucm/srnd/8x/cmapps.html

NO.7 You need to establish a connection from your Cisco Unified CallManager cluster to a service provider's registrar server.

Which trunk type should you select?

- A. intercluster trunk (non-gatekeeper-controlled)
- B. intercluster trunk (gatekeeper-controlled)
- C. H.225 trunk (gatekeeper-controlled)
- D. SIP trunk

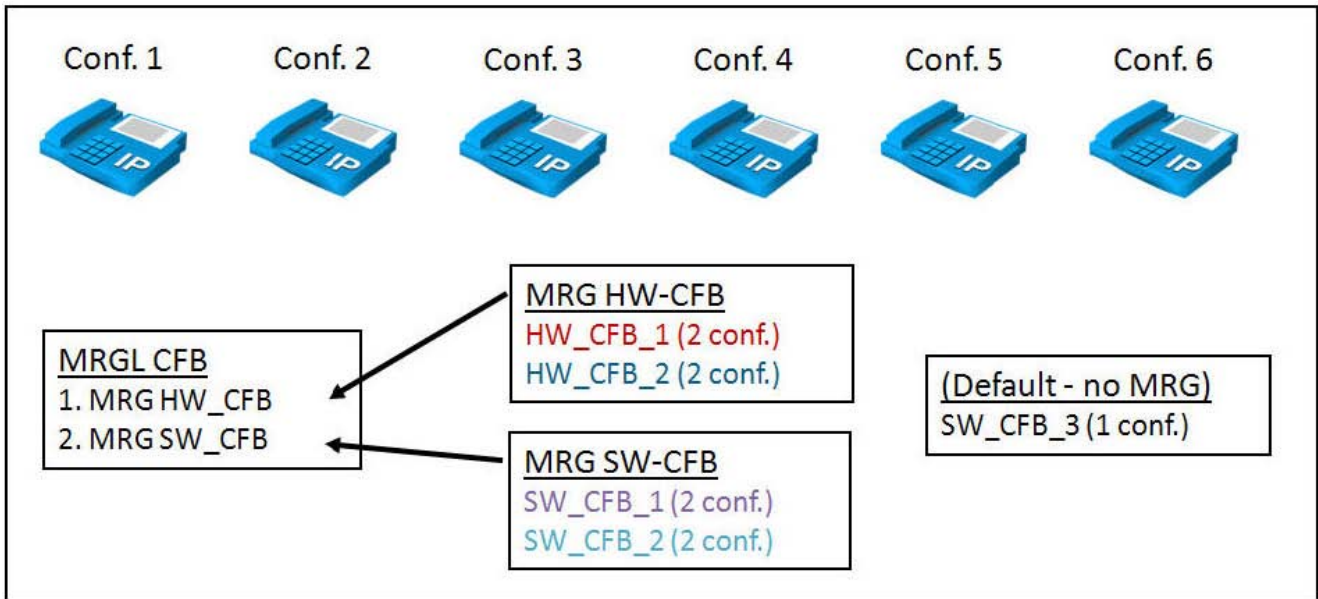
Answer: D

NO.8 If the route patterns 5XXX, 51XX, 513X and 5134 exist within a call route database, which pattern would be matched if the dialed number was 5324?

- A. 5XXX
- B. 51XX
- C. 513X
- D. 5134

Answer: A

NO.9 Refer to the exhibit.



Cisco 642-447 Exam

Which conference resource will conference 6 use?

- A. HW_CFB_1
- B. HW_CFB_2
- C. SW_CFB_1
- D. SW_CFB_2
- E. SW_CFB_3

Answer: C

NO.10 Which term describes an ordered list of partitions that an IP phone can search before completing a call?

- A. calling search space
- B. called search space
- C. route list
- D. route group

Answer: A

NO.11 You need to delete and add a new device pool to your Cisco Unified CallManager cluster, but when you try to delete the existing device pool you receive an error message stating that the device pool is still in use. Which tool can you use to determine which devices are still using the device pool?

- A. the Dial Plan report
- B. Device Pool records
- C. Dependency records
- D. Cisco Unified CallManager group records

Answer: C

NO.12 Which two are characteristics of using Standard Local Route Groups? (Choose two.)

- A. reduces call-routing time
- B. decouples the selection of a PSTN gateway from a route pattern

- C. can be added more than once to a route pattern
- D. allows for the dynamic selection of egress gateways based on the device originating the call
- E. places more call-routing intelligence at the gateway

Answer: B,D

NO.13 There are three servers listed in a Cisco Unified Communications Manager group. They are listed in this order: Subscriber_1, Publisher, and Subscriber_2. In which order does an IP phone attempt to register with the Cisco Unified Communications Manager group?

- A. The IP phone uses the server listed in its device configuration.
- B. The IP phone uses the list of servers contained in its associated device pool.
- C. The IP phone will go through the list from first server to last server listed in the Cisco Unified Communications Manager group list.
- D. The IP phone starts with Publisher, then moves to the first and second listed subscribers in the Cisco Unified Communications Manager group list.

Answer: B

Explanation:

Link: http://www.cisco.com/en/US/docs/voice_ip_comm/cucm/admin/8_5_1/ccmfeat/fslrg.html
IP phone first search for subscriber and doesn't have any device pool.

NO.14 What function does the device pool perform?

- A. it provides a single point of configuration for every device in a Cisco Unified Communications Manager cluster.
- B. it separates user and physical location information.
- C. it sets the location bandwidth used between different locations.
- D. it sets the default device parameters for all IP phones in the cluster.

Answer: B

NO.15 You have configured SRST at a remote site on an MGCP gateway.

During testing, you find that IP phones are not registering with the SRST router when the IP WAN fails.

\ *

Which three potential problems need to be investigated? (Choose three.)

- A. The ccm-managerfallback-mgcp command is missing in the SRST router.
- B. No SRST reference address is included in the device pool.
- C. The max-dn command is missing in the SRST router.
- D. The max-ephones command is missing in the SRST router.

Answer: B,C,D

NO.16 DRAG DROP

You work as a network technician at Abc.com. Your boss, Miss ABC, is interested in Presence terms. Match the proper Presence term with appropriate description.

Options, select from these

Availability	Observer
Presence	Presence Group
Presence Entity	Watcher

Definitions

An interested party which can monitor the real-time status of a directory number
Directory number or SIP URI
Set of watchers that is allowed (or disallowed) from watching the status of a presence entity
The status of a user
The status of a device

Options, place here

<i>Place here</i>
<i>Place here</i>
<i>Place here</i>
<i>Place here</i>
<i>Place here</i>

Answer:**Options, select from these**

Availability	Observer
Presence	Presence Group
Presence Entity	Watcher

Definitions

An interested party which can monitor the real-time status of a directory number
Directory number or SIP URI
Set of watchers that is allowed (or disallowed) from watching the status of a presence entity
The status of a user
The status of a device

Options, place here

Watcher
Presence Entity
Presence Group
Availability
Presence

Explanation:

Options, select from these

Availability	Observer
Presence	Presence Group
Presence Entity	Watcher

Definitions

An interested party which can monitor the real-time status of a directory number
Directory number or SIP URI
Set of watchers that is allowed (or disallowed) from watching the status of a presence entity
The status of a user
The status of a device

Options, place here

Watcher
Presence Entity
Presence Group
Availability
Presence