

PDFBraindumps



| Latest Pdf Braindumps | Top Certifications | Top Vendors |
|-----------------------|--------------------------|--------------------------|
| ▶ LRP-614 | ▶ ISEB Certification | ▶ ISEB |
| ▶ BCABA | ▶ OCE | ▶ ASTQB |
| ▶ JN0-740 | ▶ NVIDIA Certifications | ▶ Aruba |
| ▶ 250-405 | ▶ Network+ | ▶ Data Center Universit |
| ▶ DS-200 | ▶ IBM Certified Integrat | ▶ HRCI |
| ▶ SDM_2002001040 | ▶ CCDH | ▶ CIW |
| ▶ ST0-250 | ▶ IBM Certified Advanc | ▶ Patchlink |
| ▶ H12-221 | ▶ eserver Certified Spe | ▶ International Consorti |
| ▶ M2180-716 | ▶ SAP-Certifications | ▶ Acme-Packet |
| | ▶ Network Appliance N | |
| | ▶ HCNP | ▶ Fortinet |
| | ▶ IFPUG Certifications | ▶ Ericsson |
| | ▶ dotMobi Certification | ▶ Liferay |
| | ▶ SCMA | ▶ Novell |
| | ▶ MCSD | ▶ Huawei |
| | ▶ NCLP | ▶ RSA |
| | ▶ XMLMaster Certificat | ▶ MYSQL |
| | ▶ CS5 | ▶ ISM |
| | ▶ CHA | ▶ CheckPoint |

<http://www.pdfbraindumps.com>

Latest pdf braindumps provider, high pass rate

Exam : **4A0-C01**

Title : **Nokia NRS II Composite Exam**

Vendor : **Nokia**

Version : **DEMO**

NO.1 Which three IS-IS PDU types are used for database synchronization?

- A. LSPs, CSNPs, PSNPs
- B. LSPs, PSNPs, Hellos
- C. Hellos, CSNPs, PSNPs
- D. LSPs, Hellos, CSNPs

Answer: A

NO.2 By default, what happens when a packet with a VLAN tag is received on a SAP provisioned with null encapsulation?

- A. The original VLAN tag is removed.
- B. The original VLAN tag is kept.
- C. The VLAN tag is kept and a provider tag is added.
- D. The VLAN tag is replaced by a provider tag.

Answer: B

NO.3 Which of the following is NOT required when configuring an LSP with an admin group constraint on an Alcatel-Lucent 7750 SR?

- A. Enable MPLS and RSVP on all routers along the LSP path.
- B. Enable traffic engineering on all routers along the LSP path.
- C. Enable CSPF on the head-end router.
- D. Configure a path definition on all routers along the LSP path.

Answer: D

NO.4 Which of the following OSPFv3 LSAs have an AS scope?

- A. Intra-Area Prefix LSA
- B. Link Local LSA
- C. Router LSA
- D. None of the above LSAs have an AS scope.
- E. Network LSA
- F. Inter-Area Router LSA

Answer: D

NO.5 Click on the exhibit.

```
*A:SRC_R3# oam lsp-ping prefix 192.10.1.2/32
LSP-PING 192.10.1.2/32: 80 bytes MPLS payload
Seq=1, send from intf toR1, reply from 10.10.10.2
      udp-data-len=32 ttl=255 rtt=2.45ms rc=3 (EgressRtr)

---- LSP 192.10.1.2/32 PING Statistics ----
1 packets sent, 1 packets received, 0.00% packet loss
round-trip min = 2.45ms, avg = 2.45ms, max = 2.45ms, stddev = 0.000ms
*A:SRC_R3#
```

Which of the following is FALSE?

- A. The router 10.10.10.2 is the egress router of the prefix 192.10.1.2/32.

- B. The lsp-ping tool is used to perform a unidirectional LSP test.
- C. The router can reach prefix 192.10.1.2/32 through an LDP tunnel.
- D. The router can reach prefix 192.10.1.2/32 through a RSVP-TE tunnel.

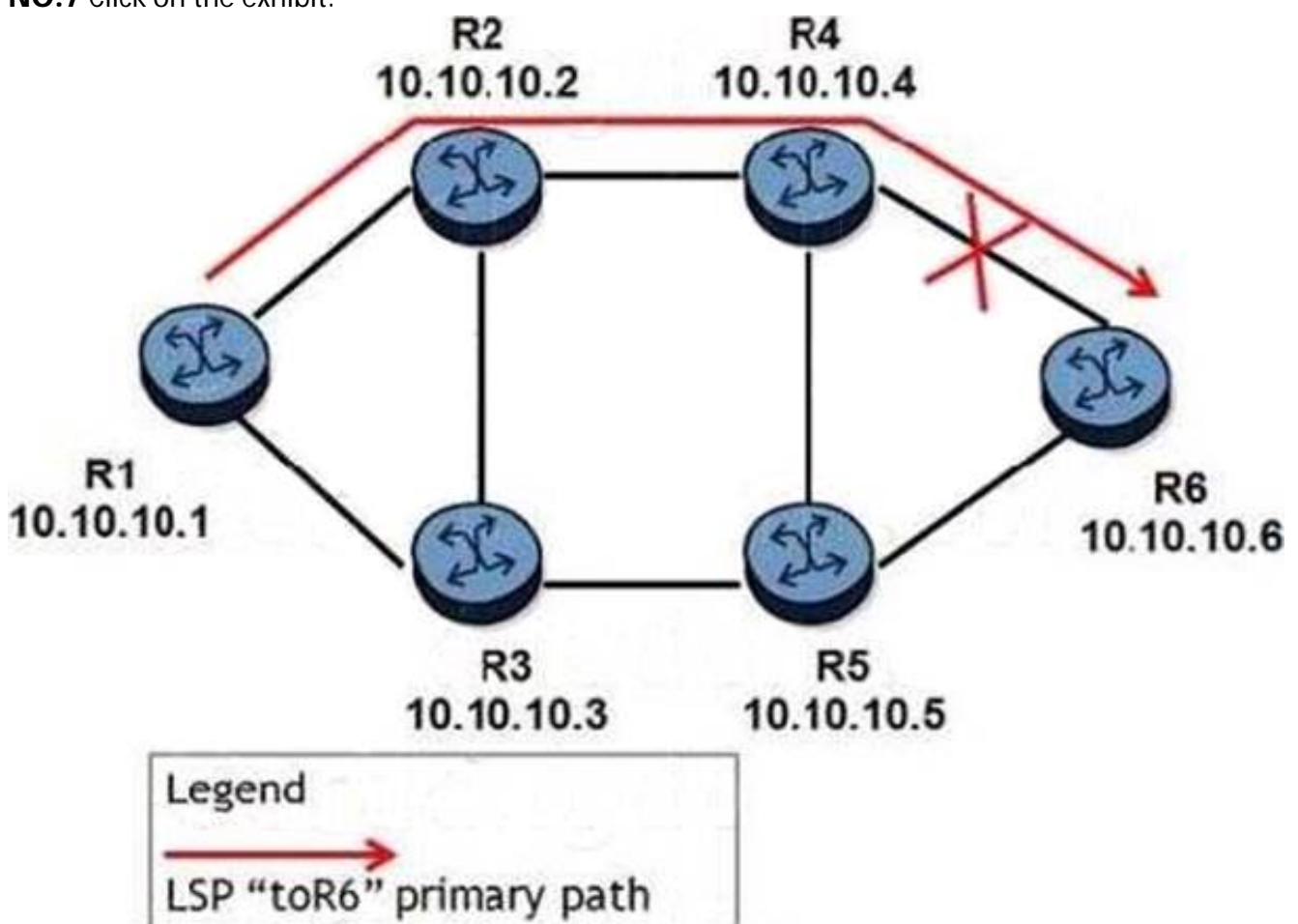
Answer: D

NO.6 By default, what does a PE do to support VPLS services for different customers? (Choose 2)

- A. ARP mediation.
- B. MAC learning.
- C. Maintain a different Forwarding Data Base for each service
- D. Maintain a different Routing Information Base for each service.

Answer: B,C

NO.7 Click on the exhibit.



An LSP path is established on router R1 toward router R6.

If the link between routers R4 and R6 goes down, which of the following is the quickest way for service recovery?

- A. Router R4 switches to a standby secondary path.
- B. Router R1 switches to a secondary path.
- C. Router R1 updates its FIB after a new SPF calculation.
- D. Router R4 switches to a FRR path.

Answer: D

NO.8 Which of the following about LDP-over-RSVP is TRUE?

- A. RSVP LSPs must exist between each PE-ABR pair, or ABR-ABR pair in each area.
- B. When LDP-over-RSVP is active, the LDP prefixes are resolved to a physical egress interface.
- C. Targeted sessions must exist between all routers along the tunnel path.
- D. Link LDP sessions must exist between each ABR-ABR pair in each area.

Answer: A

NO.9 The SAP 1/1/1:2.3 receives an untagged Ethernet frame.

Which of the following is TRUE?

- A. VLAN tags 2 and 3 are added to the frame.
- B. Only outer VLAN tag 2 is added.
- C. Only inner VLAN tag 3 is added.
- D. The frame is dropped.

Answer: D

NO.10 How many SAPs can be configured on a port configured with dot1q encapsulation?

- A. None. This encapsulation is not supported.
- B. 4095
- C. The number is limited only by the capacity of the router
- D. 1

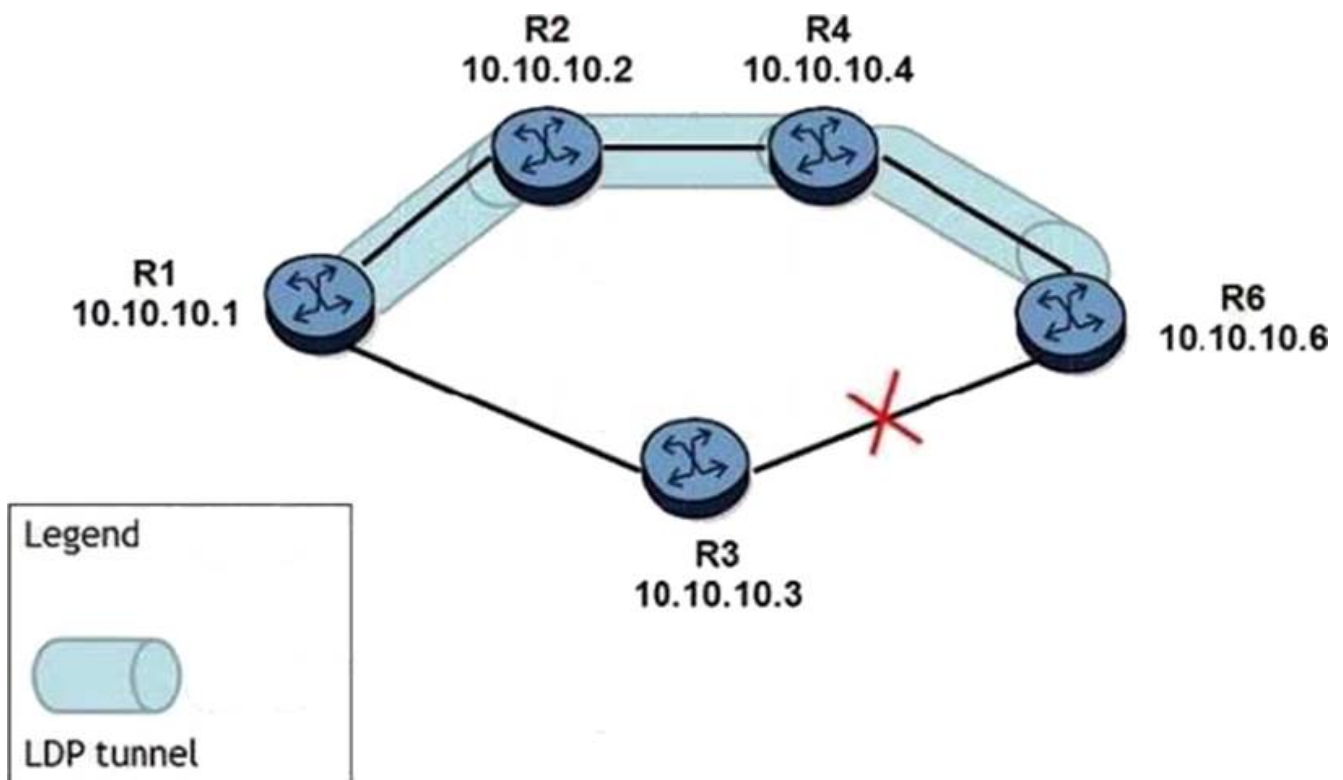
Answer: B

NO.11 In a Layer 2 encapsulation, using Martini, what does the first (top) label represent?

- A. UNI
- B. VC Label
- C. NNI
- D. Operational Control Word
- E. Tunnel Label

Answer: E

NO.12 Click on the exhibit.

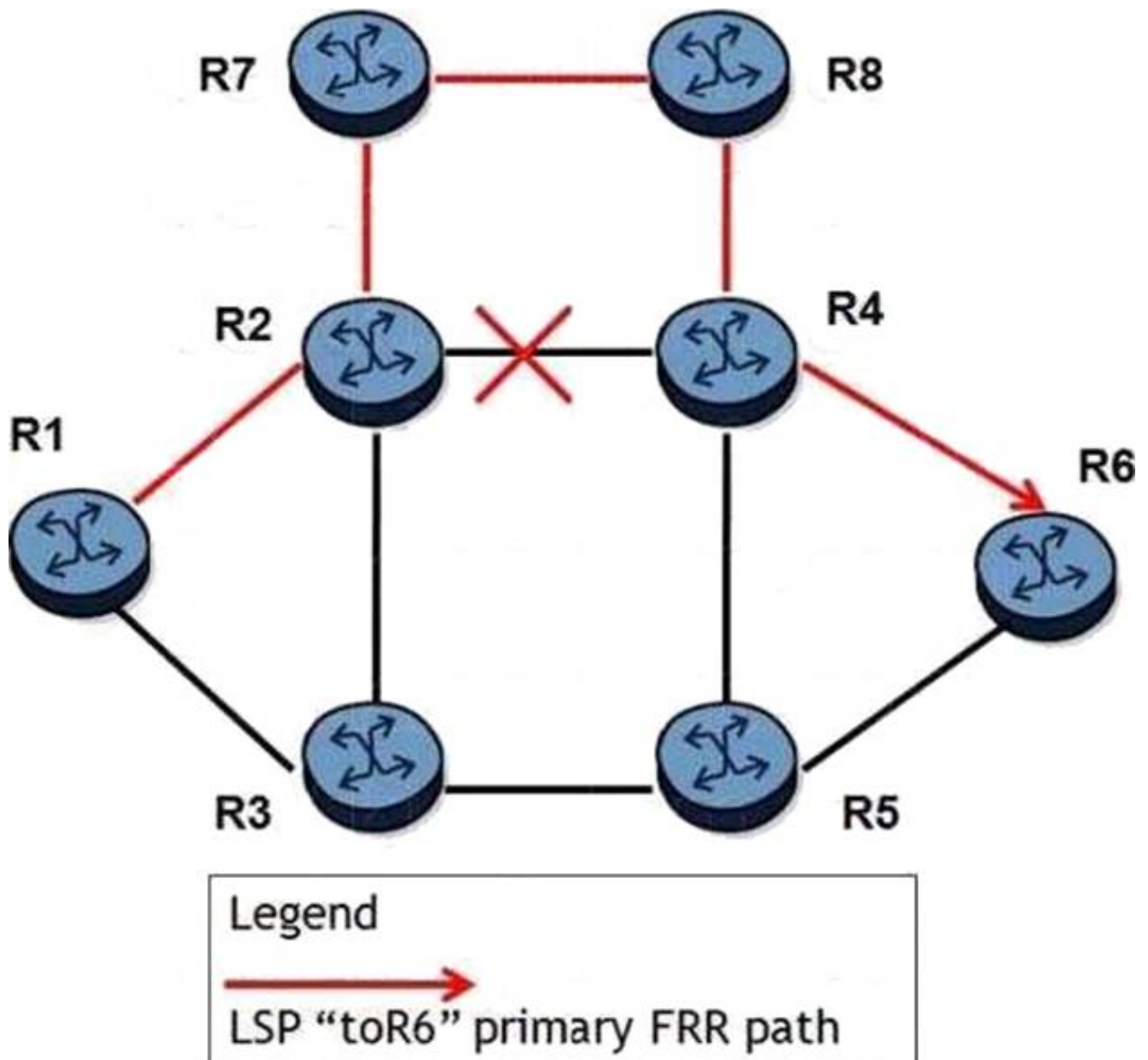


An LDP tunnel is established on R1-R2-R4-R6 because the link between routers R3 and R6 is down. With the LDP-IGP Sync feature enabled and after the link is restored, which of the following is FALSE?

- A. Router R1 receives a label from router R3 after the LDP session is established on R3-R6.
- B. Router R3 starts the LDP-Sync timer after recovering the LDP session on R3-R6.
- C. Router R1 continues to use R1-R2-R4-R6 until the LDP-Sync feature is disabled.
- D. Router R3 advertises the maximum metric for the link to router R6.

Answer: C

NO.13 Click on the exhibit.



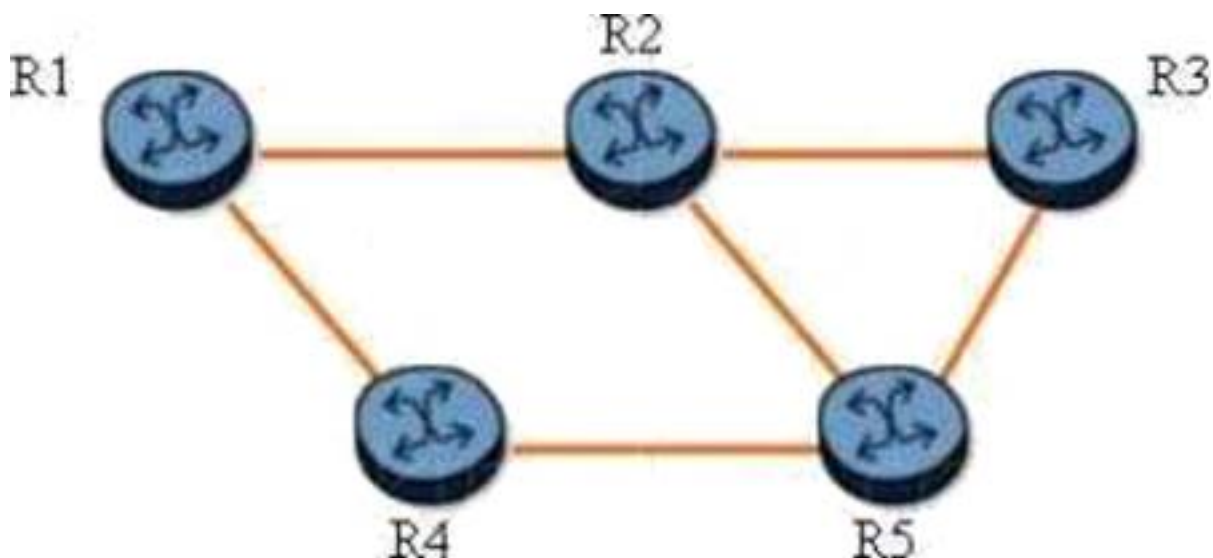
A fully loose LSP "toR6" is enabled with FRR protection. All links have the same cost. After the link between R2 and R4 goes down, FRR protection repairs the LSP and traffic traverses on R1-R2-R7-R8-R4-R6.

Which of the following about this CSPF-enabled LSP on an Alcatel-Lucent 7750 SR is TRUE?

- A. The LSP will switchover to R1-R2-R3-R5-R6 after the resignal timer expires.
- B. The LSP will switchover to R1-R3-R5-R6 after the retry timer expires.
- C. The LSP will stay on the current path until the resignal timer expires.
- D. The LSP will stay on the current path indefinitely unless another failure occurs.

Answer: B

NO.14 Click on the exhibit.



Two LSPs traverse the path R1-R2-R3. Both LSPs are configured with facility fast reroute and link protection.

When router R1 is the PLR, which router becomes the Merge Point (MP) for this LSP?

- A. Router R5
- B. Router R2
- C. Router R3
- D. Router R4
- E. Router R1

Answer: B

NO.15 On the Alcatel-Lucent 7750 SR, which of the following statements about MP-BGP used for a VPRN is TRUE?

- A. MP-BGP will advertise routes to other BGP sessions on the same PE without the need of policies.
- B. MP-BGP is an enhanced version of BGP that can carry customer route prefixes for multiple VPRNs.
- C. The multi-protocol nature of MP-BGP allows VPRN routes to be converted into IPv4 routes in the provider core network.
- D. Routes from different customers with the same IPv4 address prefix are treated as equivalent by MP-BGP.

Answer: B

NO.16 Click the exhibit.

```

R1# show router 100 fib 1
=====
FIB Display
=====
Prefix                                     Protocol
  NextHop
-----
10.1.5.0/24
  10.1.5.0 (R1-R5)
10.6.4.0/24
  10.10.10.4 (VPRN Label:131065 Transport:LDP)
10.10.10.5/32
  10.1.5.5 Indirect (R1-R5)
10.10.10.6/32
  10.10.10.4 (VPRN Label:131065 Transport:LDP)
192.168.10.0/24
  10.1.5.5 Indirect (R1-R5)
192.168.20.0/24
  10.10.10.4 (VPRN Label:131065 Transport:LDP)
-----
Total Entries : 6

```

The output is from PE router R1 about VPRN service 100.

From which protocol did router R1 learn the prefix 192.168.20.0/24?

- A. LDP
- B. MPLS
- C. MP-BGP
- D. BGP

Answer: C

NO.17 What is wrong with the following filter configuration from an Alcatel-Lucent 7750 SR?

```

RTR-B# configure filter
RTR-B>config>filter# ip-filter 1 create
RTR-B>config>filter>ip-filter$ entry 1 create
RTR-B>config>filter>ip-filter>entry$ match src-ip 172.2.0.0/16
RTR-B>config>filter>ip-filter>entry# action drop
RTR-B# configure router interface toRTR-A
RTR-B>config>router>if# egress
RTR-B>config>router>if>egress# filter ip 1

```

- A. There is nothing wrong with this filter
- B. All traffic is being blocked
- C. The filter should be applied to the ingress and not the egress.
- D. The mask cannot be a "/" value, it must be in dotted decimal.

Answer: B

NO.18 Consider a device that uses per-platform label space; which of the following fields is NOT contained in the LFIB?

- A. Incoming interface
- B. Outgoing interface

- C. Incoming label
- D. Outgoing label

Answer: A

NO.19 What command syntax would be used to create a new routed interface on an existing IES service?

- A. config>service>ies# interface to CE create
- B. config>service>ies# interface "to-CE" customer customer-id create
- C. config>service>ies# interface to CE
- D. config>service>ies# interface "to-CE" create

Answer: D

NO.20 How many service labels must be signaled to bring up a fully meshed VPLS service among four PE routers?

- A. 12
- B. 4
- C. 24
- D. 1
- E. 6
- F. 8

Answer: A

NO.21 Which of the following about an LSP protected with one-to-one FRR is TRUE?

- A. The LSP can use facility and one-to-one FRR simultaneously.
- B. The LSP is limited to node protection.
- C. A single protection tunnel is used for all LSPs with the same path.
- D. A detour protection tunnel is created for the LSP.

Answer: D

NO.22 Which of the following is not one of the MT topologies defined for IS-IS?

- A. IPv6 Routing
- B. IPv6 Multicast Routing
- C. All of the above are MT topologies defined for IS-IS.
- D. IPv4 In-Band Management
- E. IPv4 Multicast Routing

Answer: C

NO.23 Click the exhibit.

```

R1# show router 100 fib 1
-----
FIB Display
-----
Prefix                                     Protocol
  NextHop
-----
10.1.5.0/24                               LOCAL
   10.1.5.0 (R1-R5)
10.6.4.0/24                               BGP_VPN
   10.10.10.4 (VPRN Label:131065 Transport:LDP)
10.10.10.5/32                             BGP
   10.1.5.5 Indirect (R1-R5)
10.10.10.6/32                             BGP_VPN
   10.10.10.4 (VPRN Label:131065 Transport:LDP)
192.168.10.0/24                           BGP
   10.1.5.5 Indirect (R1-R5)
192.168.20.0/24                           BGP_VPN
   10.10.10.4 (VPRN Label:131065 Transport:LDP)
-----
Total Entries : 6

```

The output is from PE router R1 about VPRN service 100.

From which protocol did router R1 learn the prefix 192.168.20.0/24?

- A. LDP
- B. MPLS
- C. BGP
- D. MP-BGP

Answer: D

NO.24 An E-pipe is configured with a service MTU 0.

What MTU value should be set on the access port for a Q-in-Q encapsulated SAP?

- A. 5000
- B. 5018
- C. 5008
- D. 5004

Answer: C

NO.25 What is the minimum Ethernet physical network MTU required for a Layer 2 service on a GRE encapsulated SDP with a service MTU?

- A. 1514
- B. 1526
- C. 1556
- D. 1536
- E. 1548

Answer: C

NO.26 Which of the following is FALSE regarding link-state protocols?

- A. The link-state database is identical for all routers in a single area routing domain.

- B. An SPF computation is done by each router to determine the best path to destination prefixes
- C. When a router performs an SPF computation, it sends the results to its neighbors.
- D. Each router constructs its own link-state database with updates received from neighbors.

Answer: C

NO.27 Click on the exhibit.

```
*A:SRC_R3# oam lsp-ping prefix 192.10.1.2/32
LSP-PING 192.10.1.2/32: 80 bytes MPLS payload
Seq=1, send from intf toR1, reply from 10.10.10.2
      udp-data-len=32 ttl=255 rtt=2.45ms rc=3 (EgressRtr)

---- LSP 192.10.1.2/32 PING Statistics ----
1 packets sent, 1 packets received, 0.00% packet loss
round-trip min = 2.45ms, avg = 2.45ms, max = 2.45ms, stddev = 0.000ms
*A:SRC_R3#
```

After the lsp-ping command is executed, which of the following best describe the router's action?

- A. MPLS Echo Request packets are sent over TCP.
- B. MPLS Echo Request packets are sent within the RSVP-TE tunnel that are signaled for 192.10.1.2.
- C. MPLS Echo Request packets are sent unlabeled to the prefix 192.10.1.2.
- D. MPLS Echo Request packets are sent within the LDP tunnel that are signaled for 192.10.1.2.

Answer: D

NO.28 Graceful Restart is supported by what IGP?

- A. OSPF
- B. BGP
- C. RIPv1 and RIPv2
- D. IS-IS

Answer: A,D

NO.29 Which of the following about Link TLVs found inside Type 10 Opaque LSAs is FALSE?

- A. Link TLVs are exchanged once RSVP is enabled on the interfaces.
- B. Link TLVs are used to advertise router-IDs.
- C. Link TLVs are used to advertise bandwidth information.
- D. Link TLVs are used to advertise administrative group information.

Answer: B

NO.30 What is the default inbound metric for RIP on the Alcatel-Lucent 7750 SR?

- A. A value of 1.
- B. Whatever the advertised metric happens to be.
- C. A value.
- D. This must be administratively set as there is no default value.

Answer: A